

1 2 3 4 5 6

A

A

NOTES:

- 1. INSTALLATION INSTRUCTIONS ARE INCLUDED.
- 2. KIT INCLUDES THE FOLLOWING PARTS NOT SHOWN:
  - 2 x M4 x 6 CAP SCREW (NICKEL COATED STEEL)
  - 2 x M6 x 4 FLAT POINT SCREW (NICKEL COATED STEEL)

B

B

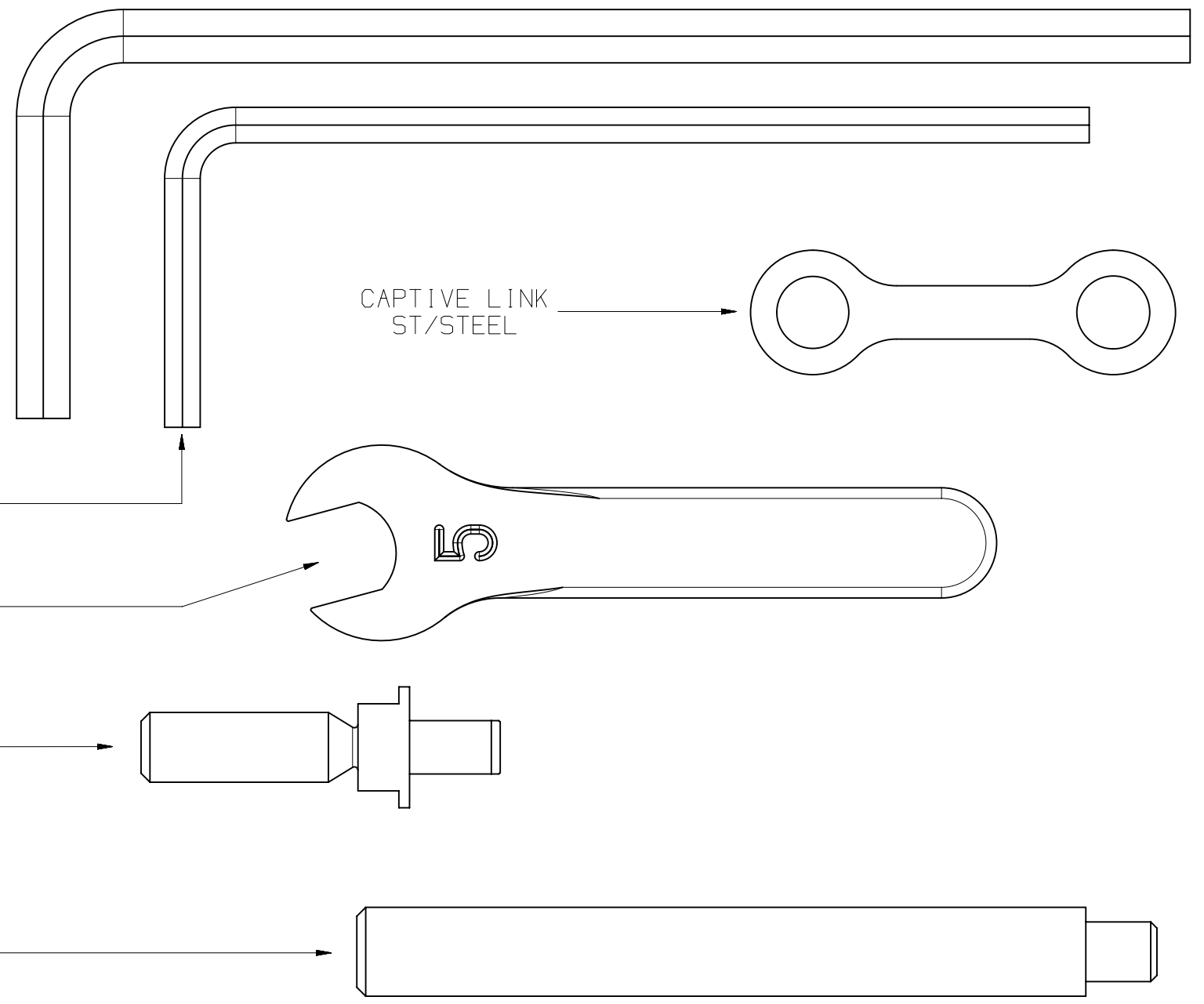
WRENCH HEX S4 3.0MM A/F  
HARDENED STEEL

WRENCH HEX S5 2.0MM A/F  
HARDENED STEEL

SPANNER 5mm A/F  
BLUED STEEL

M4 STY BREAK STEM L15 d2.5  
STAINLESS STEEL/BLACKENED SILVER STEEL  
A-5004-7443

SUPPORT BAR  
ST/STEEL



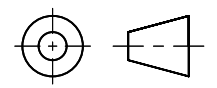
TO ORDER PLEASE QUOTE PART NUMBER A-5003-5171

THIS IS A CUSTOMER DRAWING. DIMENSIONS ARE GENERALLY NOMINAL EXCEPT WHERE TOLERANCED.

TOLERANCED DIMENSIONS ARE CONSIDERED CRITICAL AND ARE INSPECTED BY OUR QUALITY DEPARTMENT PRIOR TO DESPATCH.

ALL DIMENSIONS ARE IN MILLIMETRES. DRAWING PRACTICE TO BS 8888.

3rd ANGLE PROJECTION



DO NOT SCALE

TITLE

TS27R B/STEM TOOL KIT

MATERIAL TYPE CODE

MATERIAL

ISSUE No.

\*

DRAWN BY

NY

DRAWN DATE

APR 18

SHEET

1 OF 1

CHECKED

CONFIDENTIAL. THIS DRAWING IS THE PROPERTY OF © RENISHAW plc, AND MAY NOT BE COPIED OR USED FOR ANY PURPOSE, OTHER THAN THAT FOR WHICH IT IS SUPPLIED, WITHOUT THE EXPRESS WRITTEN AUTHORITY OF RENISHAW plc.

**RENISHAW®**

Wotton - under - Edge  
Glos. England.  
GL12 8JR

SCALE  
U.O.S.  
3:1

DRAWING No.

N-5003-5171-01