

MH8 user's guide

www.renishaw.com

MH8 user's guide

Documentation part number: H-1000-5190-06-D



MH8 user's guide

www.renishaw.com

General information

© 2003 - 2022 Renishaw plc. All rights reserved.

 ORIGINAL LANGUAGE VERSION

This document may not be copied or reproduced in whole or in part, or transferred to any other media or language by any means, without the prior written permission of Renishaw.

Disclaimer

WHILE CONSIDERABLE EFFORT WAS MADE TO VERIFY THE ACCURACY OF THIS DOCUMENT AT PUBLICATION, ALL WARRANTIES, CONDITIONS, REPRESENTATIONS AND LIABILITY, HOWSOEVER ARISING, ARE EXCLUDED TO THE EXTENT PERMITTED BY LAW.

RENISHAW RESERVES THE RIGHT TO MAKE CHANGES TO THIS DOCUMENT AND TO THE EQUIPMENT, AND/OR SOFTWARE AND THE SPECIFICATION DESCRIBED HEREIN WITHOUT OBLIGATION TO PROVIDE NOTICE OF SUCH CHANGES.

Trade marks

RENISHAW® , the probe symbol and REVO® are registered trade marks of Renishaw plc.

Renishaw product names, designations and the mark 'apply innovation' are trade marks of Renishaw plc or its subsidiaries.

Other brand, product or company names are trade marks of their respective owners.

WEEE



The use of this symbol on Renishaw products and / or accompanying documentation indicates that the product should not be mixed with general household waste upon disposal. It is the responsibility of the end user to dispose of this product at a designated collection point for waste electrical and electronic equipment (WEEE) to enable reuse or recycling. Correct disposal of this product will help to save valuable resources and prevent potential negative effects on the environment. For more information, please contact your local waste disposal service or Renishaw distributor.

Warranty

Unless you and Renishaw have agreed and signed a separate written agreement, the equipment and/or software are sold subject to the Renishaw Standard Terms and Conditions supplied with such equipment and/or software, or available on request from your local Renishaw office.

Renishaw warrants its equipment and software for a limited period (as set out in the Standard Terms and Conditions), provided that they are installed and used exactly as defined in associated Renishaw documentation. You should consult these Standard Terms and Conditions to find out the full details of your warranty.

Equipment and/or software purchased by you from a third-party supplier is subject to separate terms and conditions supplied with such equipment and/or software. You should contact your third-party supplier for details.

MH8 user's guide

www.renishaw.com

Care of equipment

Renishaw probes and associated systems are precision tools used for obtaining precise measurements and must therefore be treated with care.

Changes to Renishaw products

Renishaw reserves the right to improve, change or modify its hardware or software without incurring any obligations to make changes to Renishaw equipment previously sold.

Company registration details

Renishaw plc. Registered in England and Wales. Company no: 1106260. Registered office: New Mills, Wotton-under-Edge, Gloucestershire, GL12 8JR, UK.

Packaging

To aid end user recycling and disposal the materials used in the different components of the packaging are stated here:

Packaging component	Material	94/62/EC code	94/62/EC number
Outer box	Corrugated fibreboard	PAP	20
Packaging insert	Corrugated fibreboard	PAP	20
Bag	Low density Polyethylene	LDPE	4

MH8 user's guide

www.renishaw.com

Product compliance

EU declaration of conformity

Contact Renishaw plc or visit www.renishaw.com/EUCMM for the full EU declaration.

UK declaration of conformity

Contact Renishaw plc or visit www.renishaw.com/UKCMM for the full UK declaration.

EMC conformity

This equipment must be installed and used in accordance with this installation guide. This product is intended for industrial use only and should not be used in a residential area or connected to a low voltage power supply network which supplies buildings used for residential purposes.

ICES-001 (Canada only)

This ISM device complies with Canadian ICES-001(A) / NMB-001(A).

Cet appareil ISM est conforme à la norme ICES-001(A) / NMB001(A) du Canada.

REACH regulation

Information required by Article 33(1) of Regulation (EC) No. 1907/2006 ("REACH") relating to products containing substances of very high concern (SVHCs) is available at:

www.renishaw.com/REACH

MH8 user's guide

www.renishaw.com

China RoHS

Contact Renishaw plc or visit www.renishaw.com/ChinaRoHSCMM for the full China RoHS tabulation.



MH8 user's guide

www.renishaw.com

Introduction

The MH8 is a manually operated, indexing probe head that articulates to provide orientation of the stylus. The head can carry probes fitted with a Renishaw M8 connector. The TP20 and TP6 touch-trigger probes are recommended. The MH8 is available with a range of shanks to suit the mounting arrangement specified by the manufacturer of the CMM.

MH8 user's guide

www.renishaw.com

Product description

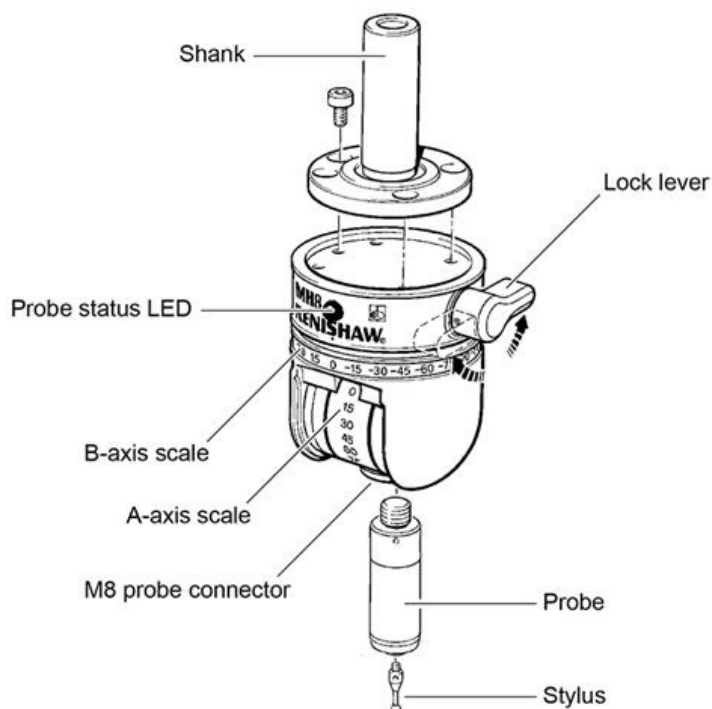
The MH8 has 2 axes. The probe connector is carried on the A-axis which can rotate the probe through 90° in the Z plane. The B-axis can rotate the probe through $\pm 180^\circ$ in the X-Y plane.

A lever actuated mechanism locks both axes in the desired position for gauging the workpiece. The axes are unlocked to allow free rotation to another position. The locked positions are set at angular increments of 15° in each axis, providing a total of 168 positions.

When the head orientation is locked, the probe is kinematically constrained in a highly repeatable spatial position. This means that after initial qualification of the stylus tip, in the positions required for gauging the workpiece, the probe may be reorientated to any of the qualified positions without the need for requalification.

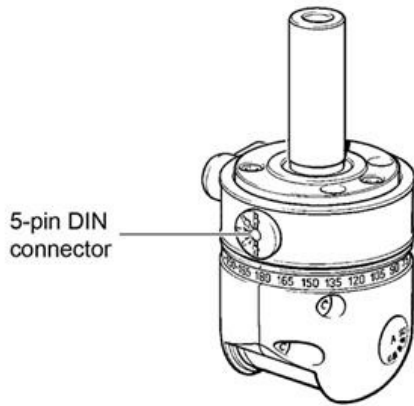
A red LED is provided on the front of the head to indicate the probe's status. The LED may be driven by the CMM controller or by a Renishaw probe interface. It is convention for the LED to be ON to indicate a seated (armed) probe and to be OFF to indicate a triggered probe.

Electrical connection is via a 5 pin DIN connector.



MH8 user's guide

www.renishaw.com



Part number summary

Part number	Description
A-1332-0013	MH8 probe head
A-1332-0002	MH8 probe head + TK4 probe tools (no shank)
A-1332-0003	MH8 + TK4 + MS1 shank
A-1332-0004	MH8 + TK4 + MS2 shank
A-1332-0005	MH8 + TK4 + MS4 shank
A-1332-0006	MH8 + TK4 + MS5 shank
A-1332-0007	MH8 + TK4 + MS7 shank
A-1332-0008	MH8 + TK4 + MS9 shank
A-1332-0009	MH8 + TK4 + MS10 shank
A-1332-0010	MH8 + TK4 + MS13 shank
A-1332-0011	MH8 + TK4 + MS15 shank
A-1332-0014	MH8 + TK4 + MS17 shank
A-1332-0012	MH8 + TK4 + D shank
A-1042-1486	S1 'C' spanner
A-1047-3932	S9 double ended 'C' spanner
M-5000-3540	S7 stylus tightening tool
P-TL03-0150	Hexagon key, 1.5 mm AF (TP2 / TP6 adjustment)

MH8 user's guide

www.renishaw.com

Installation procedure

Mounting the shank on the probe head

- Hold the shank in the recess on the top face of the MH8
- Rotate the shank until the three screw holes are aligned
- Fix the shank in place using only the M3 × 5 mm screws (supplied)
- Progressively tighten using the 2.5 mm A/F hexagon key (supplied)

Mounting the head on the CMM

The head will normally be attached to the quill of the CMM using a standard shank, specified by the CMM manufacturer.

Standard shanks are listed in the 'Part number summary'.

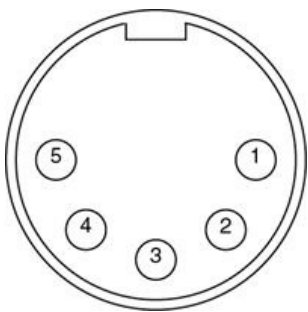
Special or customised mounting arrangements are possible. Please contact your supplier or Renishaw, for details of our custom products service.

The mounting must be absolutely rigid, as any movement during normal operation of the head will add errors to the measurement system.

If the head is replaced or repositioned in the quill, it will be necessary to requalify all of the head positions in current use.

Electrical connection

Connection is by means of a 5-pin DIN connector on the side of the head.



The pin numbering functions are given in the table below:

Pin number	Designation
1	LED cathode
2	Ground
3	LED anode
4	Probe circuit
5	Probe circuit

MH8 user's guide

www.renishaw.com

Mounting the probe to the probe head

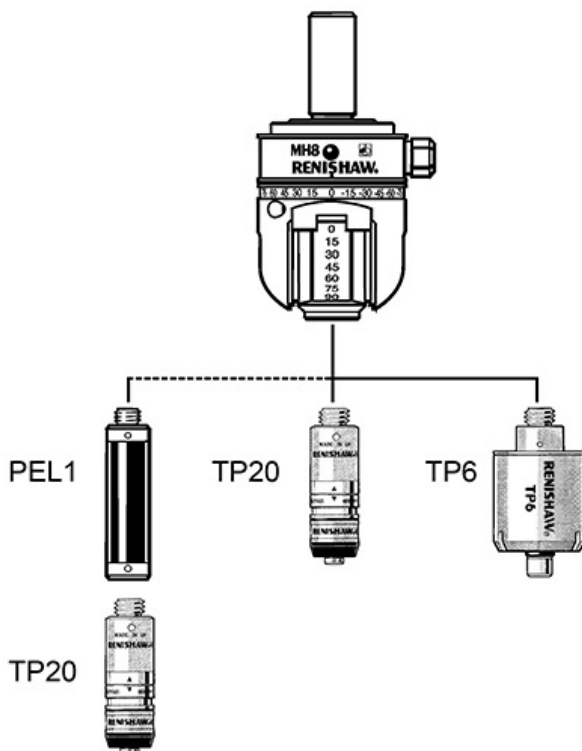
If fitting a TP20 probe, mount the probe body to the probe head before fitting the probe module and stylus.

- Screw the threaded end of the probe into the M8 connector on the probe head until it is finger tight
- Fit the S1 'C' spanner (supplied) to the location holes in the probe body and tighten by hand
- The recommended tightening torque is 0.3 Nm - 0.5 Nm

Refer also to the user's guide for the probe type being used.

Extension bars

Probe reach may be extended by 50 mm using a PEL1 extension bar. Use of the PEL2, PEL3 or PE series extension bars is not recommended.



MH8 user's guide

www.renishaw.com

Head operation

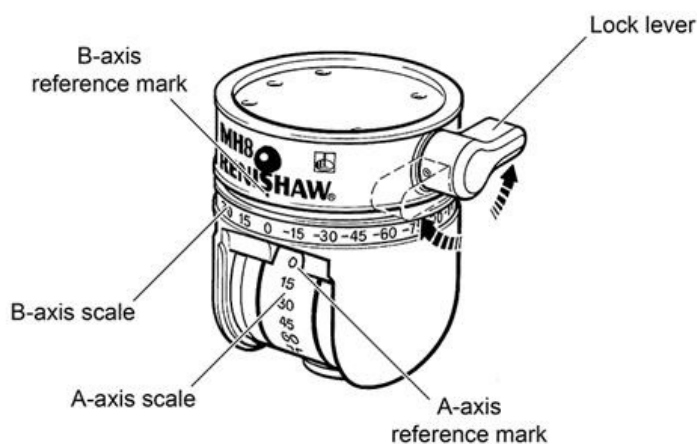
i **NOTE:** Ensure that the lock lever is turned fully clockwise to the locked position, before taking gauge points.

To change the orientation of the probe

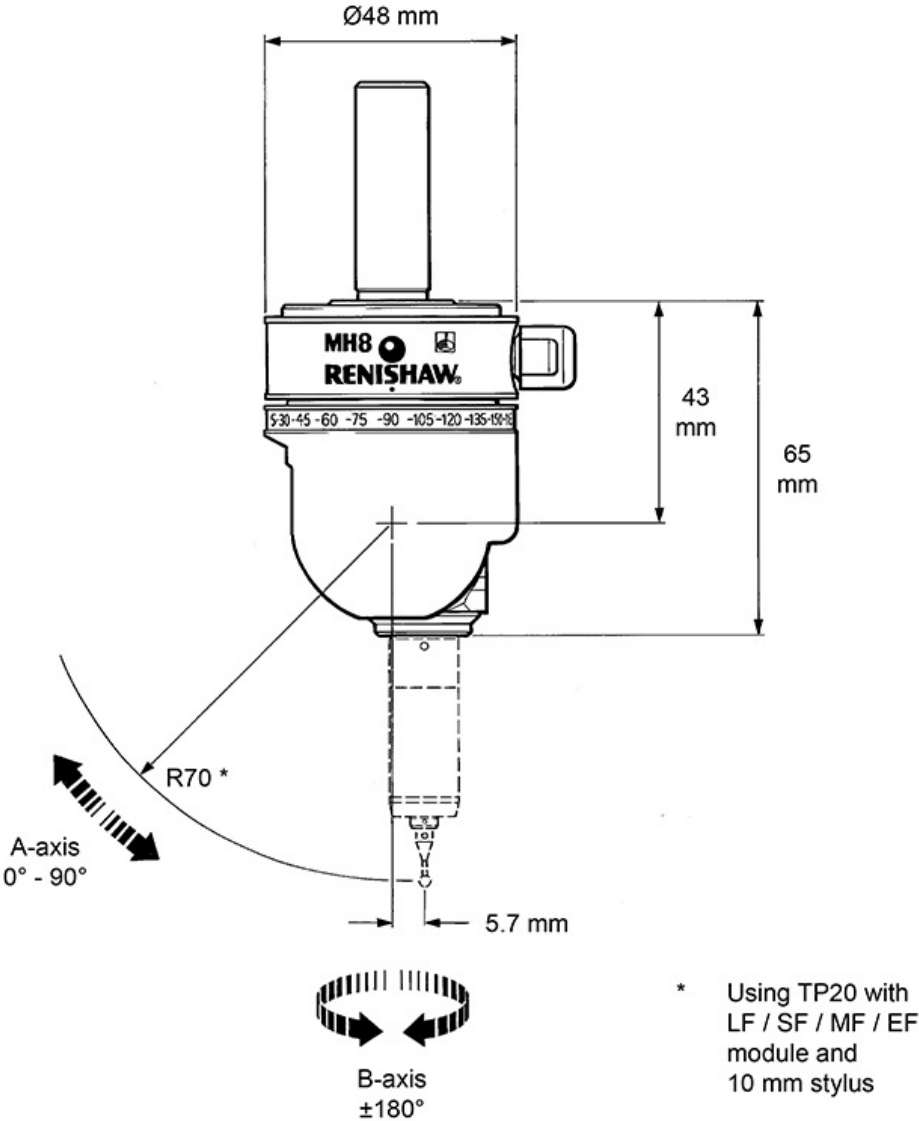
- Unlock the head by turning the lock lever to the fully anti-clockwise position
- Grip the body of the probe (avoid touching the stylus) and rotate the B-axis until the desired angle indication on the scale (in increments of 15°) is adjacent to the B-axis reference mark
- Rotate the A-axis until the desired angle indication on the scale (in increments of 15°) is at the A-axis reference position
- Lock the head by turning the lock lever to the fully clockwise position
- Qualify the stylus tip(s) according to the CMM supplier's instructions
- Change the orientation of the probe to the next desired position and qualify the stylus tip(s)
- Repeat the qualification process for all desired orientations and stylus tips
- Commence gauging, ensuring that the correct qualification data is recalled for each head position

Periodic requalification should be performed according to the following considerations:

- CMM supplier's recommendations, particularly in respect of temperature changes
- At the start of the working day or shift
- After an accidental collision
- After changing any measuring system component (except a prequalified TP20 module)
- If the initial state is unknown or uncertain



Dimensions



MH8 user's guide

www.renishaw.com

Technical specification

Measuring performance

Positional repeatability (2σ) (At stylus tip with TP20 probe, standard force module and 10 mm stylus length)	1.5 μm
Positional repeatability (2σ) with 50 mm extension bar (PEL1) (At stylus tip with TP20 probe, standard force module and 10 mm stylus length)	2.5 μm

Technical data

Range of articulation	A-axis: 0° to 90° in 15° increments B-axis: $\pm 180^\circ$ in 15° increments
Maximum load	TP6 - no extension allowed TP20 or TP2 probe + 50 mm extension (PEL1)
Operating temperature range	+10 °C to +40 °C
Storage temperature range	-10 °C to +70 °C
Probe connector	Renishaw M8 \times 1.25 mm \times 5 mm
Electrical connector	5-pin DIN (180°)
Sealing	IP30
Weight	205 g (without shank)

Maintenance

This product is intended for use in a protected metrology environment and therefore accumulations of dust or swarf should not occur.

In common with all precision measuring equipment, regular inspection and cleaning are recommended to ensure continued high performance.

Maintenance is limited to wiping the outer surfaces, axes scale labels and mounting face of the probe connector with a clean, dry cloth or proprietary cleaning material.

MH8 user's guide

www.renishaw.com

Fault finding

Refer also to the appropriate user's guide for the probe.

Loss of measuring accuracy

Possible causes	Remedy
Mounting not secure.	Check that the MH8 is correctly mounted to the shank and that the screws are secure. Check the clamping mechanism in the CMM quill.
MH8 not fully locked.	Ensure that the lock lever is turned fully clockwise.
Excessive force imparted to probe after locking.	Unlock and re-lock the MH8.
MH8 overloaded.	Use only with the specified probe and extension combinations.
Faulty probe.	Check by substitution.
MH8 worn or damaged.	Check by substitution or return to Renishaw or your supplier.

Axes 'rattle' when rotated

Possible causes	Remedy
MH8 not fully unlocked.	Turn lock lever fully anticlockwise before attempting to reorientate probe.

Renishaw plc
New Mills, Wotton-under-Edge
Gloucestershire, GL12 8JR
United Kingdom

T +44 (0)1453 524524
F +44 (0)1453 524901
www.renishaw.com/cmmsupport



**For worldwide contact details,
please visit our main website at
www.renishaw.com/contact**